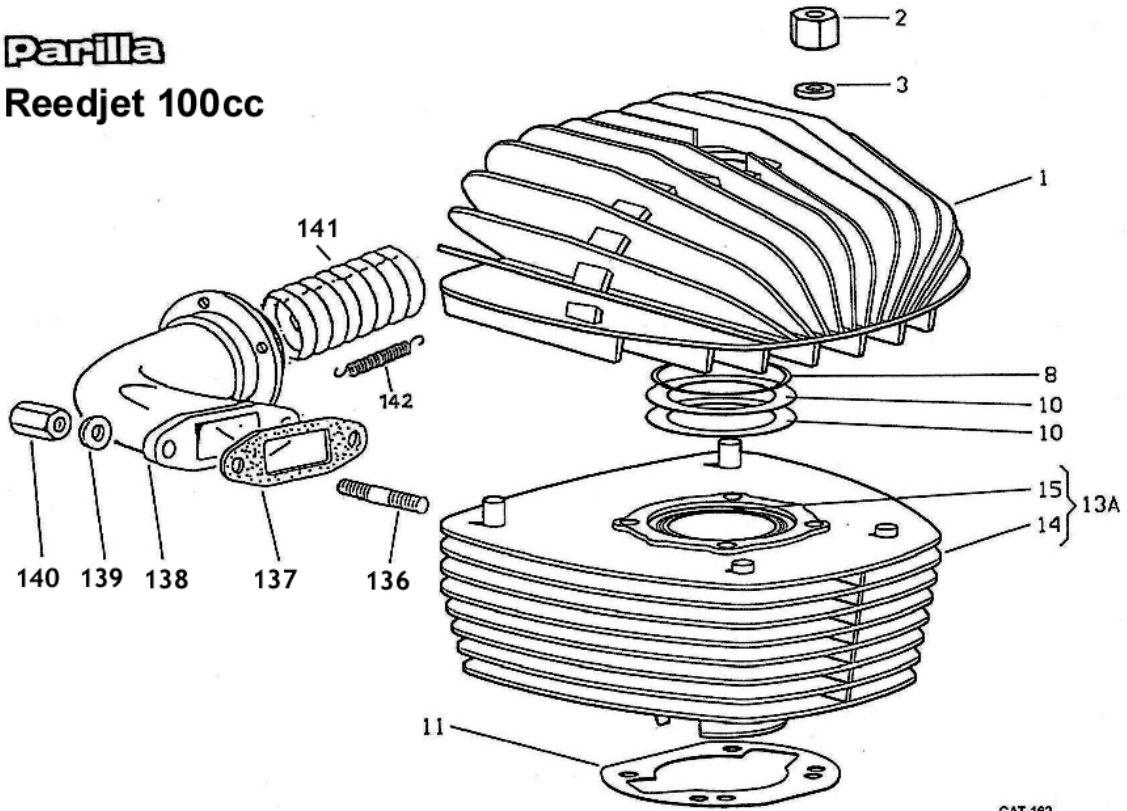
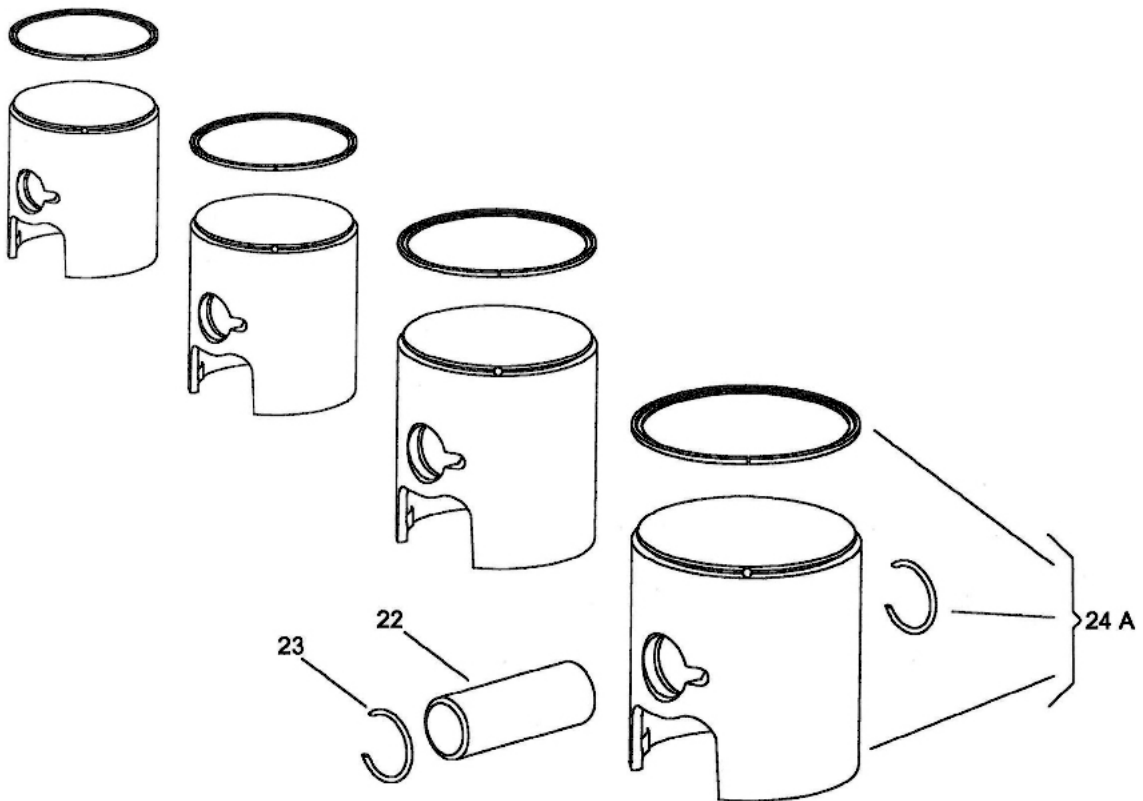


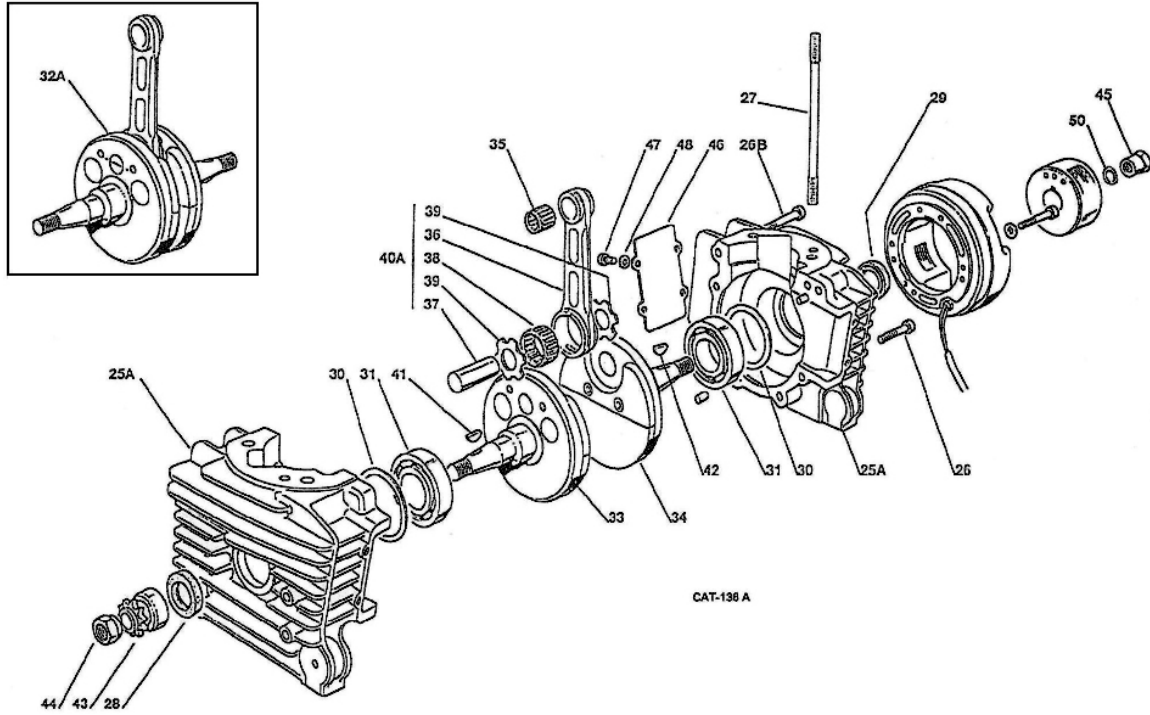
Parilla Reedjet 100cc



CAT-162



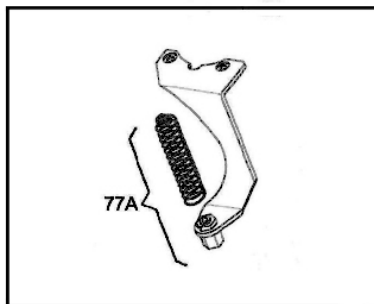
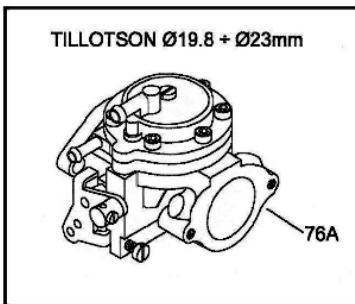
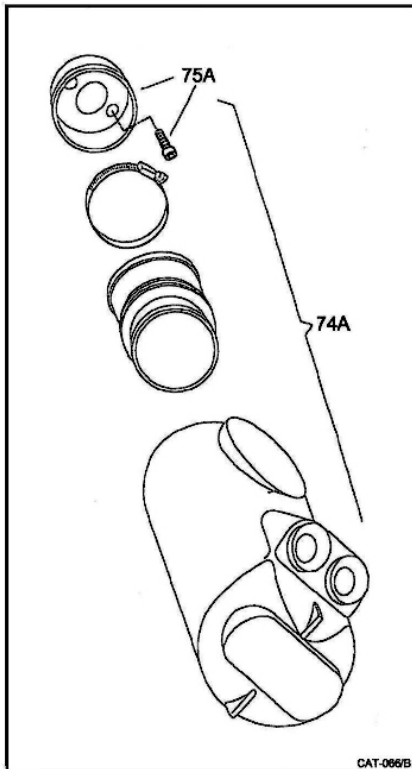
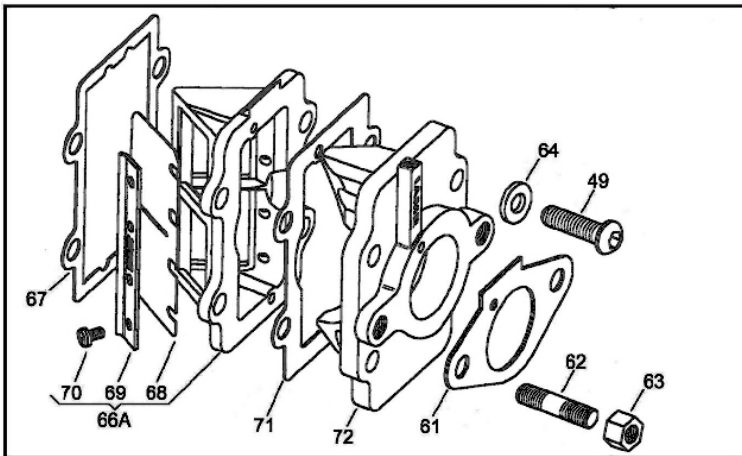
CAT-122



CAT-196 A

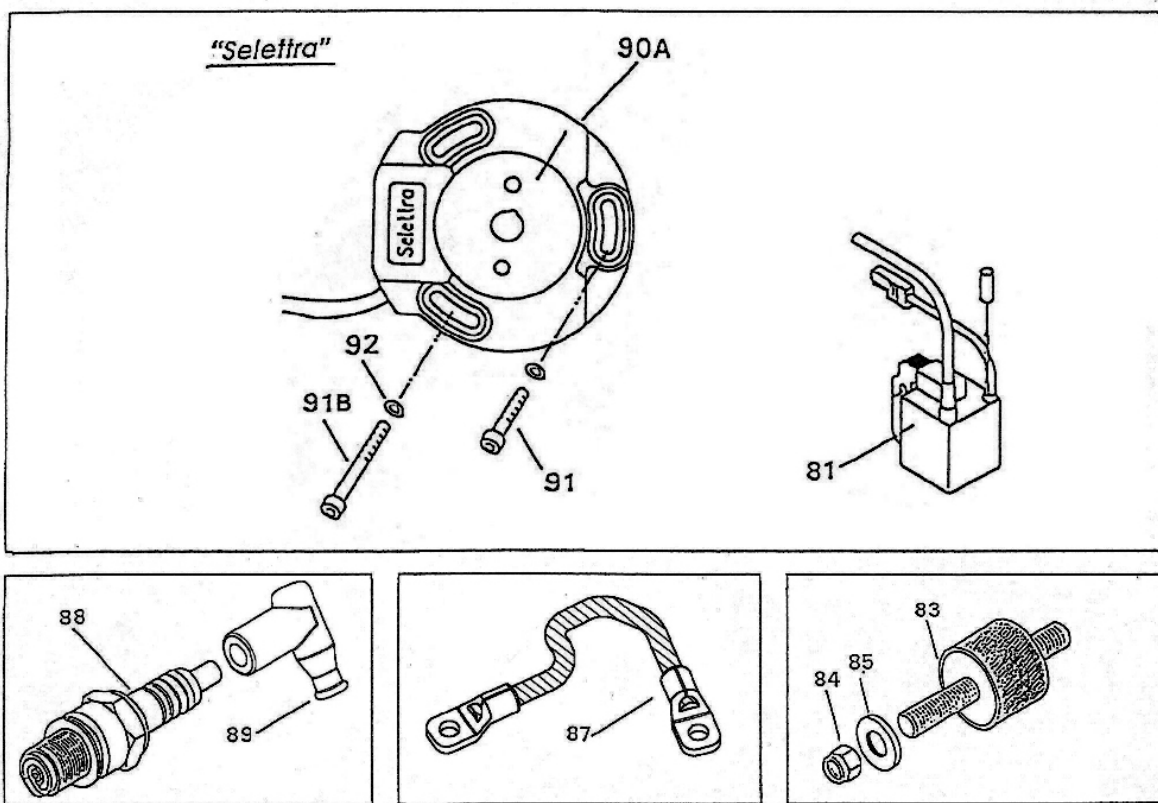
GRUPPO ALIMENTAZIONE A LAMELLE - REED VALVE INLET GROUP -
 GROUPE ALIMENTATION A CLAPETS

FILTRO ARIA - AIR FILTER - FILTRE AIR



CAT-066/B

ACCENSIONI ELETTRICHE - ELECTRONIC IGNITIONS - ALLUMAGES ELECTRONIQUES



CAT-116

Reedjet_parte_alta

PARILLA		TESTA E CILINDRO		HEAD AND CYLINDER	CULASSE ET CYLINDRE	Engine
Fig.	Code	Descrizione	Dim.	Description	Description	REEDJET '02
1	F-10043	TESTA cilindro		Cylinder HEAD	CULASSE cylindre	X
2	10350	DADO testa		Head NUT	ECROU culasse	X
3	10635	RONDELLA dado testa		Head nut WASHER	RONDELLE ecrou culasse	X
8	D-37049	GUARNIZIONE testa OR		Head GASKET OR	JOINT culasse OR	X
10	D-37047	GUARNIZIONE testa	0,1mm	Head GASKET	JOINT culasse	X
10	D-37048	GUARNIZIONE testa	0,2mm	Head GASKET	JOINT culasse	X
11	E-38045	GUARNIZIONE cilindro	4\10	Cylinder GASKET	JOINT cylindre	X
11	E-38046	GUARNIZIONE cilindro	2\10	Cylinder GASKET	JOINT cylindre	X
13A	E-10037E	CILINDRO completo		Complete CYLINDER	CYLINDRE complet	X
14	E-10017E	CARASSA cilindro		Cylinder BARREL	CORPS cylindre	X
15	E-10027E	CANNA cilindro		Iron LINER	CHEMISE en fonte	X
136	B-75355	PRIGIONIERO scarico	M8x36	Exhaust STUDBOLT	GOUJON echappement	X
137	B-75360	GUARNIZIONE scarico		Exhaust pipe GASKET	JOINT pipe echappement	X
138	F-40368	RACCORDO scarico		Exhaust PIPE	PIPE echappement	X
139	.00332	RONDELLA dado scarico	M8	Exhaust nut WASHER	RONDELLE ecrou echappem.	X
140	B-71662	DADO scarico	M8	Exhaust NUT	ECROU echappement	X
141	10711-B	FLESSIBILE L. 13 cm.	D. 45mm.	FLEXIBLE L. 13 cm.	FLEXIBLE L. 13 cm.	X
142	10785	MOLLA tenuta flessibile	L=55mm	Flexible SPRING	RESSORT flexible	X

Reedjet_Pistones

PARILLA		PISTONE		PISTON	PISTON	Engine
Fig.	Code	Descrizione	Dim.	Description	Description	REEDJET '02
22	B-10321-R	SPINOTTO biconico 1^ sel.	14x39	Biconical piston PIN 1^ sel.	AXE de piston biconique 1^ sel.	X
22	B-10321-B	SPINOTTO biconico 2^ sel.	14x39	Biconical piston PIN 2^ sel.	AXE de piston biconique 2^ sel.	X
22	B-10321-G	SPINOTTO biconico 3^ sel.	14x39	Biconical piston PIN 3^ sel.	AXE de piston biconique 3^ sel.	X
23	10341-A	ANELLINO ferma spinotto		CIRCLIP	ARRET axe de piston	X
24A	D-37050-CV	PISTONE completo verde	49,85 v	Complete green PISTON	PISTON complet vert	X
24A	D-37050-CR	PISTONE completo rosso	49,85 r	Complete red PISTON	PISTON complet rouge	X
24A	D-37055-CV	PISTONE completo verde	49,87 v	Complete green PISTON	PISTON complet vert	X
24A	D-37055-CR	PISTONE completo rosso	49,87 r	Complete red PISTON	PISTON complet rouge	X
24A	D-37060-CV	PISTONE completo verde	49,89 v	Complete green PISTON	PISTON complet vert	X
24A	D-37060-CR	PISTONE completo rosso	49,89 r	Complete red PISTON	PISTON complet rouge	X
24A	B-36050-CV	PISTONE completo verde	49,91 v	Complete green PISTON	PISTON complet vert	X
24A	B-36050-CR	PISTONE completo rosso	49,91 r	Complete red PISTON	PISTON complet rouge	X
24A	B-36055-CV	PISTONE completo verde	49,93 v	Complete green PISTON	PISTON complet vert	X
24A	B-36055-CR	PISTONE completo rosso	49,93 r	Complete red PISTON	PISTON complet rouge	X
24A	B-36060-CV	PISTONE completo verde	49,95 v	Complete green PISTON	PISTON complet vert	X
24A	B-36060-CR	PISTONE completo rosso	49,95 r	Complete red PISTON	PISTON complet rouge	X
24A	B-36065-CV	PISTONE completo verde	49,97 v	Complete green PISTON	PISTON complet vert	X
24A	B-36065-CR	PISTONE completo rosso	49,97 r	Complete red PISTON	PISTON complet rouge	X
24A	B-36070-CV	PISTONE completo verde	49,99 v	Complete green PISTON	PISTON complet vert	X
24A	B-36070-CR	PISTONE completo rosso	49,99 r	Complete red PISTON	PISTON complet rouge	X
24A	B-36075-CV	PISTONE completo verde	50,01 v	Complete green PISTON	PISTON complet vert	X
24A	B-36075-CR	PISTONE completo rosso	50,01 r	Complete red PISTON	PISTON complet rouge	X

Reedjet_carter

PARILLA		BASAMENTO E ALBERO MOTORE		CRANKCASE AND CRANKSHAFT	CARTER ET VILEBREQUIN	Engine
Fig.	Code	Descrizione	Dim.	Description	Description	REEDJET '02
25A	E-10485B	BASAMENTO completo		Complete CRANKCASE	CARTER complet	X
26	.00049	VITE basamento	M6x45	Crankcase SCREW	VIS carter	X
26B	.00052	VITE basamento	M6x60	Crankcase SCREW	VIS carter	X
27	E-38345	TIRANTE cilindro	8x157	Cylinder TIE-ROD	GOUJON cylindre	X
28	F-10425	ANELLO TENUTA l. trasmiss.	20x35x7 RP	Drive side OIL SEAL	ANNEAU transmiss.	X
29	F-10425	ANELLO TENUTA l. accens.	20x35x7 RP	Magneto side OIL SEAL	ANNEAU magneto	X
30	30407	RASAMENTO acciaio	0,1mm	Steel SHIM	RONDELLE acier	X
30	30404	RASAMENTO acciaio	0,15mm	Steel SHIM	RONDELLE acier	X
31	35396-A	CUSCINETTO 6205 C4 Koyo		BALL BEARING 6205-FGC4	ROULEMENT 6205-FGC4 K.	X
32A	D-95622	ALBERO MOTORE completo	Super	Complete CRANKSHAFT	VILEBREQUIN complet	X
33	D-95387	SEMIALBERO l. trasmissione	Super	Drive s.HALF CRANKSHAFT	DEMI VILEBREQUIN trans.	X
34	D-95392	SEMIALBERO l. accensione	Super	Magn.s.HALF CRANKSHAFT	DEMI VILEBREQUIN magn.	X
35	E-10440	GABBIETTA piede biella		Small end CAGE	CAGE pied bielle	X
36	D-37460	BIELLA	int.100mm.	CONROD	BIELLE	X
37	D-37450	ASSE accoppiamento	18x46 mm.	CRANKPIN	AXE de vilebrequin	X
38	B-10431	GABBIETTA testa biella 15 R		Big end CAGE 15 R	CAGE axe vilebrequin 15 R	X
39	E-38436	RONDELLA bronzo		Bronze WASHER	RONDELLE bronze	X
40A	D-37460-46	BIELLA completa selez.	int.100mm.	Compl. select. CONROD	BIELLE complete select.	X
41	11715	CHIAVETTA pignone	10x3,7x3	Sprocket KEY	CLAVETTE pignon	X
42	11715	CHIAVETTA pignone	10x3,7x3	Sprocket KEY	CLAVETTE pignon	X
43	10531-A	PIGNONE Z9 - J		SPROCKET 9 teeth - J	PIGNON 9 dents - J	X
43	10533-A	PIGNONE Z10 - J		SPROCKET 10 teeth - J	PIGNON 10 dents - J	X
44	10535	DADO pignone		Sprocket NUT	ECROU pignon	X
45	10535	DADO volano		Magneto NUT	ECROU magneto	X
46	10580	TARGHETTA Parilla		Parilla PLATE	PLAQUETTE Parilla	X
47	.00059	VITE targhetta	M6x12	Plate SCREW	VIS plaque	X
48	.00321	RONDELLA vite targhetta	M6	Plate screw WASHER	RONDELLE vis plaque	X
50	10640	RONDELLA accensione Super		Super ignition WASHER	RONDELLE allumage Super	X

Reedjet_admision

PARILLA		AMMISSIONE		INLET	ADMISSION	Engine
Fig.	Code	Descrizione	Dim.	Description	Description	REEDJET '02
49	.00265	VITE gruppo lamelle	M6x25	Reed group SCREW	VIS groupe clapets	X
61	10360-A	GUARNIZIONE carburatore		Carburetor GASKET	JOINT carburateur	X
62	10525	PRIGIONIERO fis.carburatore	M6x25	Fix. Carburetor STUDBOLT	GOUJON fix. carburateur	X
63	.00351	DADO prigioniero	M6	Studbolt NUT	ECROU goujon	X
64	.00302	RONDELLA vite	M6	Screw WASHER	RONDELLE vis	X
66A	F-11828	GRUPPO LAMELLE gomm.	0.26 mm	Rubber coated REED GROUP	GRUPE CLAPETS a/caout.	X
67	11810	GUARNIZIONE racc.basam.		Crankcase/manifold GASKET	JOINT carter/raccord	X
68	11840	LAMELLA singola	0.30mm.	Reed PETAL	CLAPET	X
69	F-11845	FERMA lamelle		Reeds CLIP	ARRET clapets	X
70	10380	VITE fissaggio lamelle		Reeds SCREW	VIS clapets	X
71	11805-A	GUARNIZIONE racc.carburat.		Manifold carb GASKET	JOINT raccord carburateur	X
72	B-75817A	CONVOGLIATORE Univ.	D. 27 mm.	Univ. CONVEYOR	CONVOYEUR Univ.	X
74A	10745-C	SILENZIATORE D'ASP.com.		Compl. INTAKE SILENC.	SILENC. D'ASPIR. compl.	X
75A	10771-C	SUPPORTO silenz.d'aspiraz.		Intake silencer SUPPORT	SUPPORT silenc.d'aspir.	X
77A	B-35520-C	LEVA cavo gas		Accelerator cable DEVICE	LEVIER cable accelerateur	X

Reedjet_encendido

PARILLA		ACCENSIONE		IGNITION	ALLUMAGE	Engine
Fig.	Code	Descrizione	Dim.	Description	Description	REEDJET '02
81	10024	BOBINA Selettra nera		Black Selettra COIL	BOBINE Selettra noire	X
83	B-35810-A	ANTIVIBRANTE bob. Selettra		Coil Selettra DAMPENER	ANTIVIBRATOIRE bob.Selet.	X
84	.00378	DADO per antivibrante	M6	Dampener NUT	ECROU anti vibratoire	X
85	.00302	RONDELLA dado antivibrante	M6	Dampener nut WASHER	RONDELLE ecrou antivibrat.	X
87	B-35805-A	CAVO massa bobina		Coil ground CABLE	CABLE masse bobine	X
88	10561-A	CANDELA	NGKBR10EG	SPARK PLUG	BOUGIE	X
89	10544	PIPETTA in gomma PVL		PVL Rubber CAP	PIPETTE en caoutchouc PVL	X
90A	10014-D	ACCENSIONE Selettra Super	cono 1:7,5	Selettra Super IGNITION	ALLUMAGE Selettra Super	X
91	.00034	VITE accensione Selettra	M5x25	Selettra ignition SCREW	VIS allumage Selettra	X
91B	.00039	VITE accensione Selettra	M5x40	Selettra ignition SCREW	VIS allumage Selettra	X
92	.00301	RONDELLA vite accensione	M5	Ignition screw WASHER	RONDELLE vis allumage	X