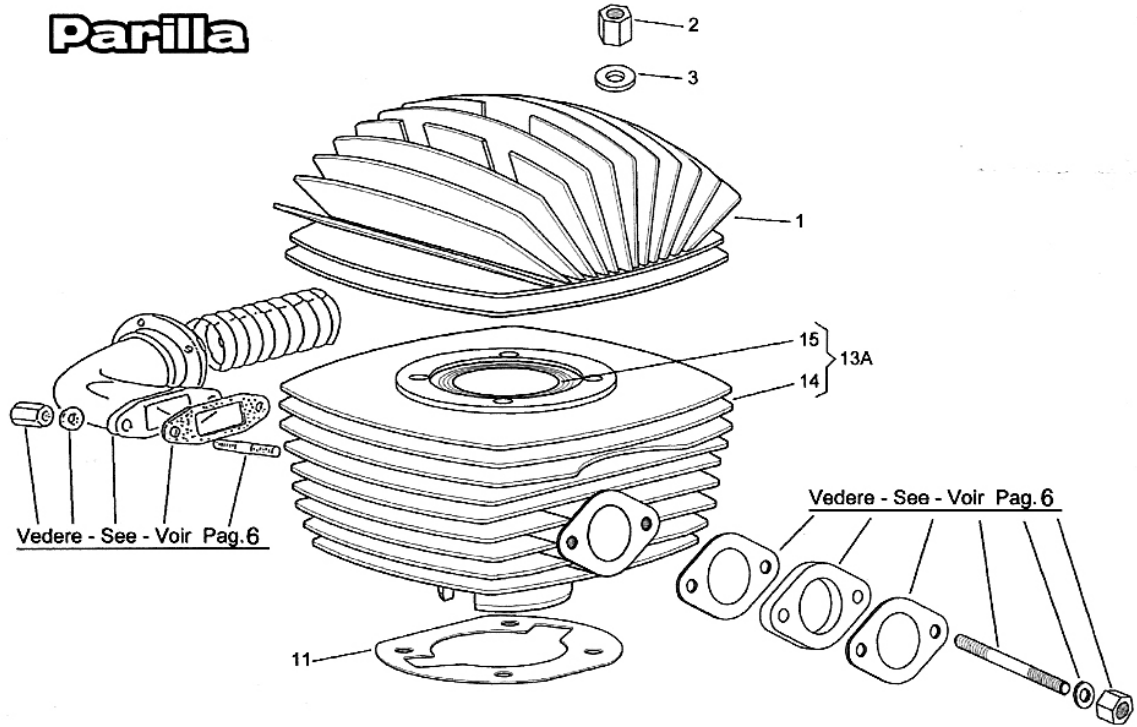
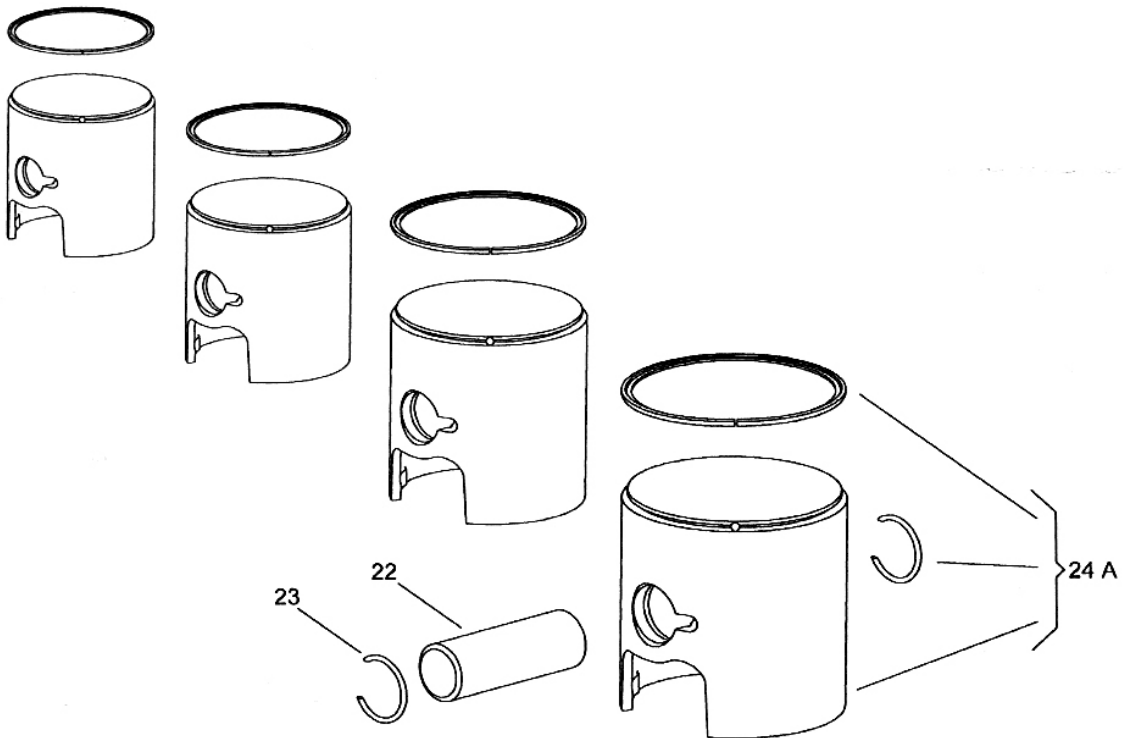


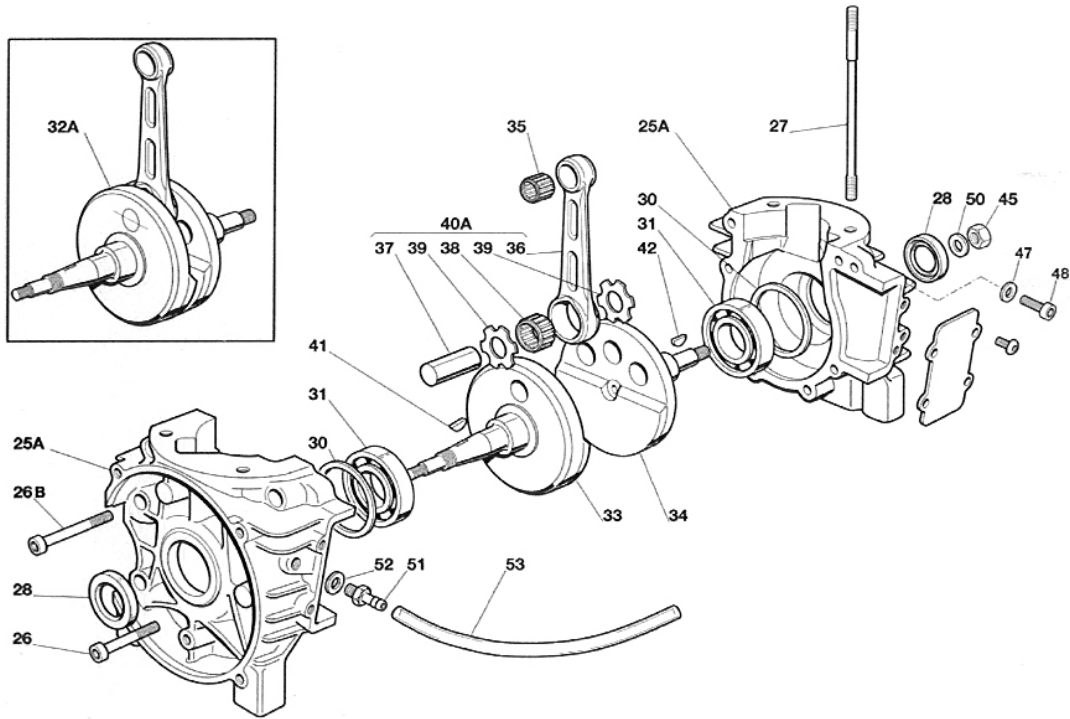
# Parilla



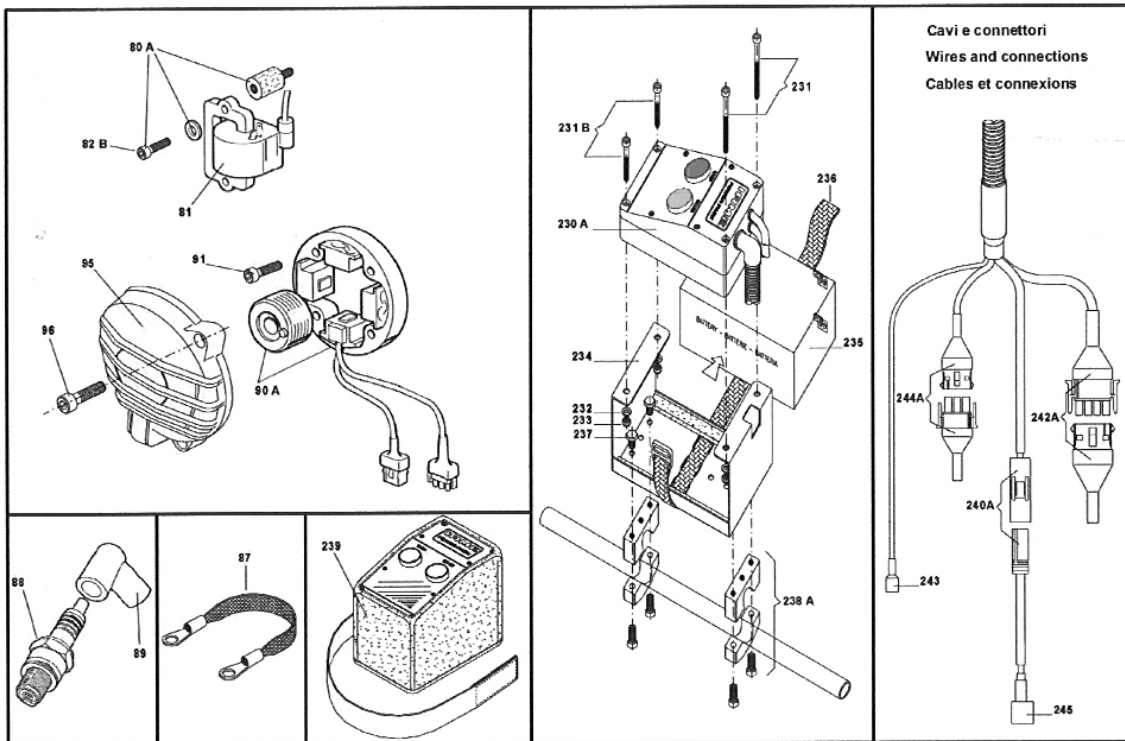
CAT-077/A



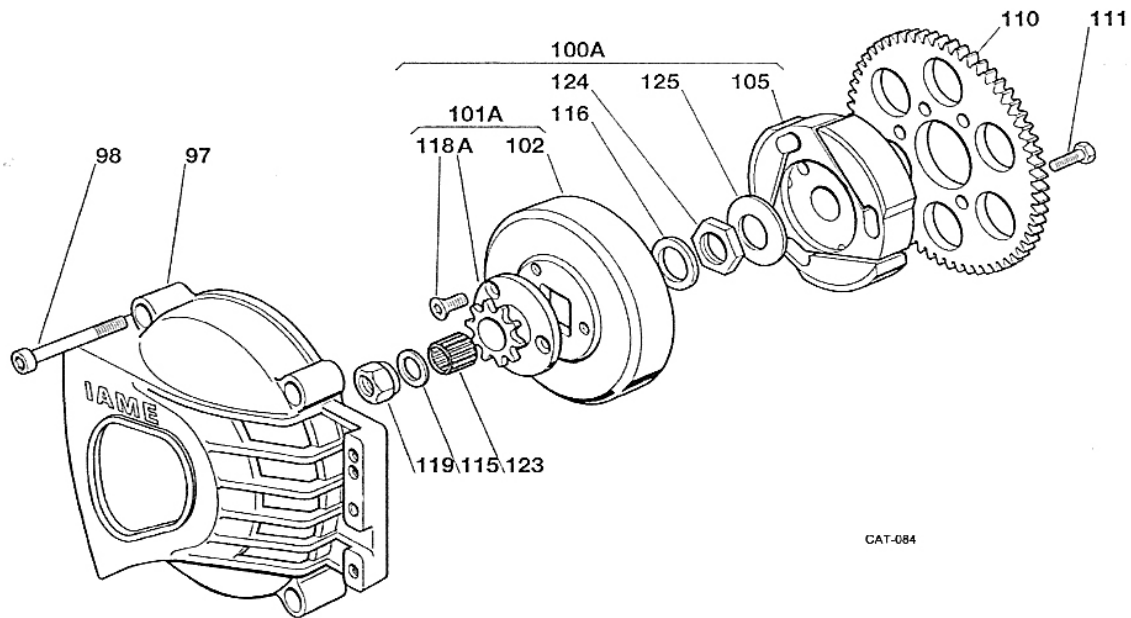
CAT-122



CAT-103/A



CAT-049 B



CAT-084

PARILLA		TESTA E CILINDRO		HEAD AND CYLINDER	CULASSE ET CYLINDRE	Engine	
Fig.	Code	Descrizione	Dim.	Description	Description	FREE	B
1	<b>Code</b>	TESTA cilindro		Cylinder HEAD	CULASSE cylindre	X	X
2		DADO testa	M8	Head NUT	ECROU culasse	X	X
3	<b>303</b>	RONDELLA dado testa	M8	Head nut WASHER	RONDELLE ecrou culasse	X	X
11	<b>EBP-85045</b>	GUARNIZIONE cilindro	4\10	Cylinder GASKET	JOINT cylindre	X	X
11	<b>EBP-85046</b>	GUARNIZIONE cilindro	2\10	Cylinder GASKET	JOINT cylindre	X	X
13A	<b>A-80030</b>	CILINDRO completo		Complete CYLINDER	CYLINDRE complet	X	X
14	<b>EBP-85010</b>	CARCASSA cilindro		Cylinder BARREL	CORPS cylindre	X	X
15	<b>EBP-85020</b>	CANNA cilindro		Iron LINER	CHEMISE en fonte	X	X

Levrier\_pistones

PARILLA		PISTONE		PISTON	PISTON	Engine	
Fig.	Code	Descrizione	Dim.	Description	Description	FREE	B
22	B-10321-R	SPINOTTO 1^ selezione	14X39	Piston PIN 1^ sel.	AXE de piston 1^ sel.	X	X
22	B-10321-B	SPINOTTO 2^ selezione	14X39	Piston PIN 2^ sel.	AXE de piston 2^ sel.	X	X
22	B-10321-G	SPINOTTO 3^ selezione	14X39	Piston PIN 3^ sel.	AXE de piston 3^ sel.	X	X
23	10341-A	ANELLINO ferma spinotto	14X1,2	CIRCLIP	ARRET axe de piston	X	X
24A	EBP-85050-CV	PISTONE completo verde	48,20 v	Complete green PISTON	PISTON complet vert	X	X
24A	EBP-85050-CR	PISTONE completo rosso	48,20 r	Complete red PISTON	PISTON complet rouge	X	X
24A	EBP-85055-CV	PISTONE completo verde	48,22 v	Complete green PISTON	PISTON complet vert	X	X
24A	EBP-85055-CR	PISTONE completo rosso	48,22 r	Complete red PISTON	PISTON complet rouge	X	X
24A	EBP-85065-CV	PISTONE completo verde	48,30 v	Complete green PISTON	PISTON complet vert	X	X
24A	EBP-85065-CR	PISTONE completo rosso	48,30 r	Complete red PISTON	PISTON complet rouge	X	X
24A	EBP-85070-CV	PISTONE completo verde	48,32 v	Complete green PISTON	PISTON complet vert	X	X
24A	EBP-85070-CR	PISTONE completo rosso	48,32 r	Complete red PISTON	PISTON complet rouge	X	X
24A	EBP-85080-CV	PISTONE completo verde	48,40 v	Complete green PISTON	PISTON complet vert	X	X
24A	EBP-85080-CR	PISTONE completo rosso	48,40 r	Complete red PISTON	PISTON complet rouge	X	X
24A	EBP-85085-CV	PISTONE completo verde	48,42 v	Complete green PISTON	PISTON complet vert	X	X
24A	EBP-85085-CR	PISTONE completo rosso	48,42 r	Complete red PISTON	PISTON complet rouge	X	X
24A	EBP-85095-CV	PISTONE completo verde	48,50 v	Complete green PISTON	PISTON complet vert	X	X
24A	EBP-85095-CR	PISTONE completo rosso	48,50 r	Complete red PISTON	PISTON complet rouge	X	X

Levrier\_carter

PARILLA						Engine	
Fig.	Code	Descrizione	Dim.	Description	Description	FREE	B
25A	A-80485	BASAMENTO completo		Complete CRANKCASE	CARTER complet	X	X
26	00049	VITE basamento	M6x45	Crankcase SCREW	VIS carter	X	X
26B	00051	VITE basamento	M6x55	Crankcase SCREW	VIS carter	X	X
27	D-37345	TIRANTE cilindro	8x135	Cylinder TIE-ROD	GOUJON cylindre	X	X
28	F-10425A	ANELLO TENUTA l.trasmis.	20x35x7 TCJW	Drive side OIL SEAL	ANNEAU transmiss.	X	X
28	F-10425A	ANELLO TENUTA l.accens.	20x35x7 TCJW	Magneto. side OIL SEAL	ANNEAU magneto	X	X
30	10407	RASAMENTO acciaio	0,1mm	Steel SHIM	RONDELLE acier	X	X
30	10409	RASAMENTO acciaio	0,15mm	Steel SHIM	RONDELLE acier	X	X
31	10400-D	CUSCINETTO 6204 C4	ORS	BALL BEARING 6204 C4 NSK	ROULEMENT 6204 C4	X	X
32A	A-80615A	ALBERO MOTORE completo		Complete CRANKSHAFT	VILEBREQUIN complet	X	X
33	A-80285	SEMIALBERO 1. Trasmissione		Drive s. HALF CRANKSHAFT	DEMI VILEBREQUIN trans.	X	X
34	A-80390	SEMIALBERO 1. Accensione		Magn.s. HALF CRANKSHAFT	DEMI VILEBREQUIN magn.	X	X
35	E-10440	GABBIETTA piede biella	14x18x18	Small end CAGE	CAGE pied bielle	X	X
36	EBP-85460	BIELLA	int. 96mm.	CONCORD	BIELLE	X	X
37	A-60450	ASSE accoppiamento	18x40 mm.	CRANKPIN	AXE de vilebrequin	X	X
38	B-10431	GABBIA testa biella 15 R	18x24x15	Big end CAGE 15 R	CAGE axe vilebrequin	X	X
39	E-38436	RONDELLA bronzo		Bronze WASHER	RONDELLE bronze	X	X
40A	EBP-85460-40	BIELLA completa selezionata	int. 96mm.	Complete selected CONROD	BIELLE complete selectionnee	X	X
41	11715	CHIAVETTA pignone	10x3,7x3	Sprocket KEY	CLAVETTE pignon	X	X
42	10375	CHIAVETTA volano	10x3,7x2,5	Magneto. KEY	CLAVETTE magneto	X	X
45	00380	DADO volano	M8	Magneto NUT	ECROU magneto	X	X
47	00302	RONDELLA	M6	WASHER	RONDELLE	X	X
48	00059	VITE fissaggio cavo	M6x12	Fixing cable SCREW	VIS fixation cable	X	X
50	00340	RONDELLA fissaggio rotore	M8	WASHER	RONDELLE	X	X
51	D-95800	RACCORDO presa pressione		Pressure FITTING	RACCORD pression	X	X
52	B-71805	GUARNIZIONE racc. Press.		Pressure fitting GASKET	JOIN raccord pression	X	X
53	B-71810	TUBO raccordo presa press.		Pressure fitting TUBE	TUBE raccord pression	X	X

Levrier sistema electrico

PARILLA						Engine	
Levrier Fig.	CLUTCH Code	Descrizione	Dim.	Description	Description		
PARILLA						Engine	
Fig.	Code	Descrizione	Dim.	Description	Description	FREE	B
97	A-60595B	COPERCHIO frizione/02		Clutch GUARD/02	GARDE embrayage/02	X	X
98	00048	VITE coperchio	M6x40	Guard SCREW	VIS de garde	X	X
100A	A-120840B-C	<b>GRUPPO FRIZIONE Z10</b>		<b>CLUTCH GROUP Z10</b>	<b>GROUPE EMBRAYAGE Z10</b>	X	X
101A	A-60550-C	CALOTTA compl.c/pignone Z10		Compl. DRUM w/sprocket Z10	CALOTTE compl. A/pignon Z10	X	X
102	A-60550	CALOTTA		DRUM	CALOTTE compl. A/pignon Z10	X	X
105	A-120840B	<b>MOZZO guarnito</b>		<b>Padded HUB</b>	<b>MOYEU garni</b>	X	X
110	A-100830	CORONA avviamento	Z66	Starter driver WHEEL	ROUE dentée demarreur	X	X
111	00161	VITE fissaggio corona	M6x12	Starter wheel SCREW	VIS roue	X	X
115	D-75573	RONDELLA esterna		External WASHER	RONDELLE externe	X	X
116	D-75565	RONDELLA interna	1,8 mm	Thrust internal WASHER	RONDELLE interne	X	X
118A	D-75554-C	PIGNONE z10 c/viti		SPROCKET z10 w/screws	PIGNON z10 a/vis	X	X
119	D-75570	DADO avviatore		Starter NUT	ECROU demarreur	X	X
123	D-75598	GABBIA a rulli per frizione		Clutch roller CAGE	CAGE à rouleaux pour embray	X	X
124	A-60560	DADO bloccaggio		Locking NUT	ECROU blocage	X	X
125	D-75563	MOLLA a tazza		WASHER, coned safety	RESSORT à godet	X	X
242A	A-60937-C	CONNETTORE accens. Compl.		Compl. Ignition CONNECTION	CONNEXION allumage compl.	X	X
243	A-60938	CONNETTORE bobina A.T.		H.T. Coil CONNECTION	CONNEXION bobine H.T.	X	X
244A	A-60939-C	CONNETTORE compll. Pick-up		Compl. CONNECTION Pick-up	CONNEXION compl. Pick-up	X	X
245	A-60940	CONNETTORE motorino avv.		Electric starter CONNECTION	CONNEXION de demarreur	X	X

=