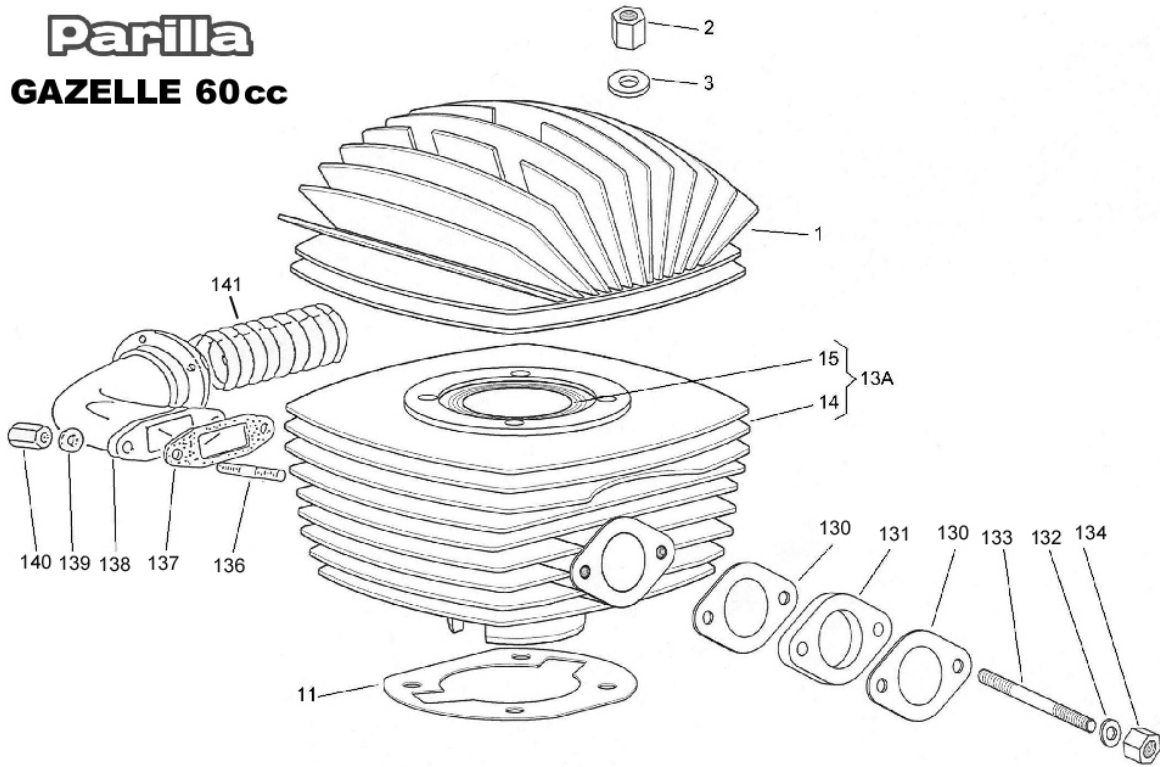
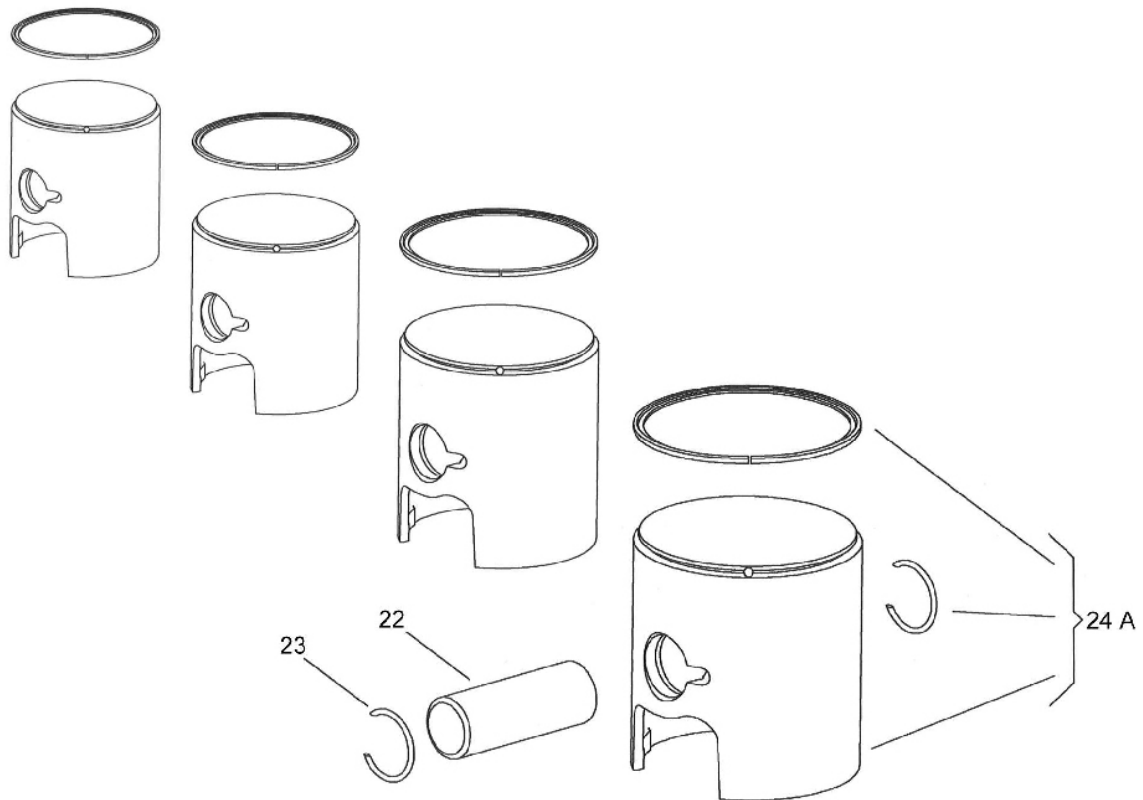


# Parilla

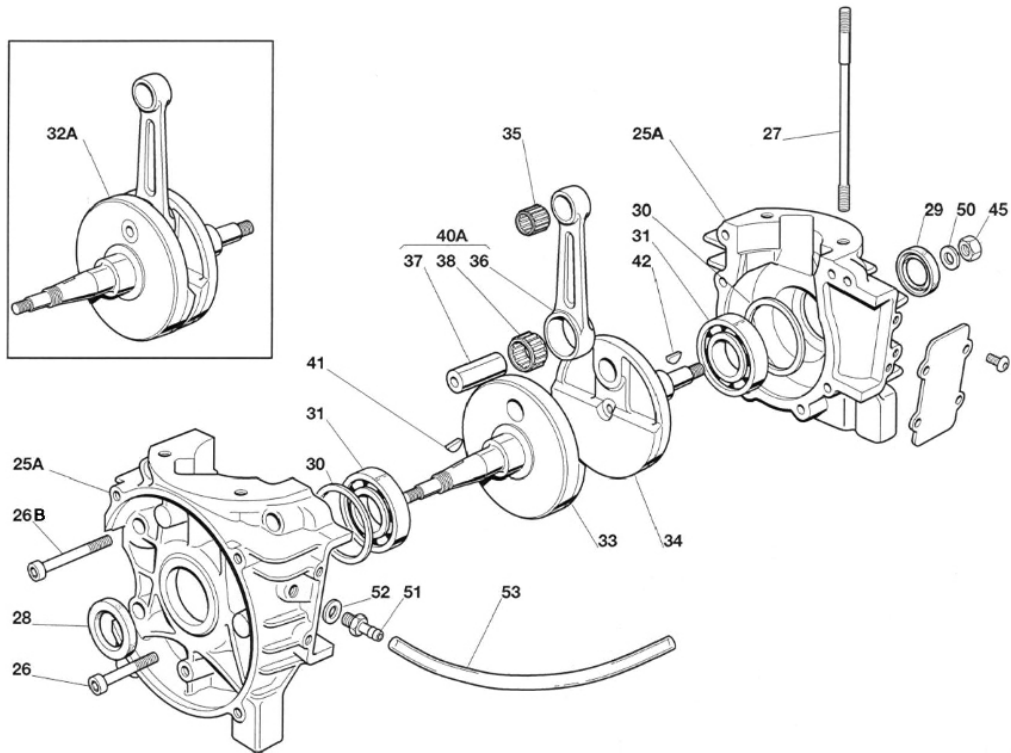
## GAZELLE 60cc



CAT-077/A

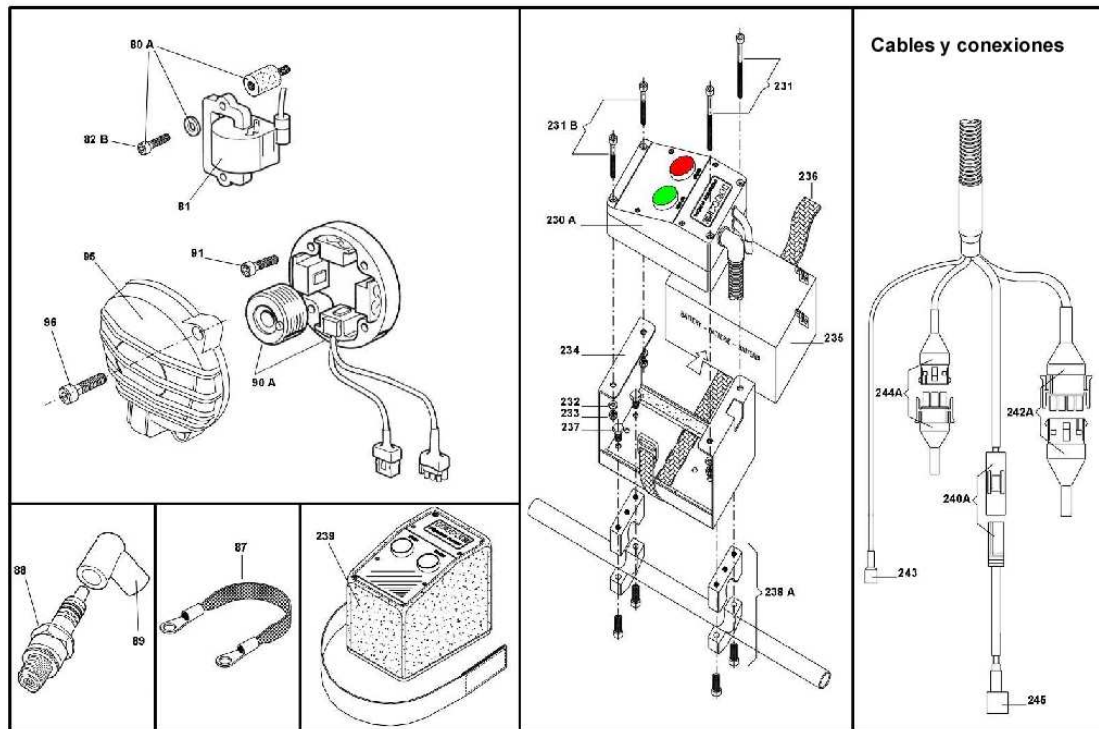


CAT-122

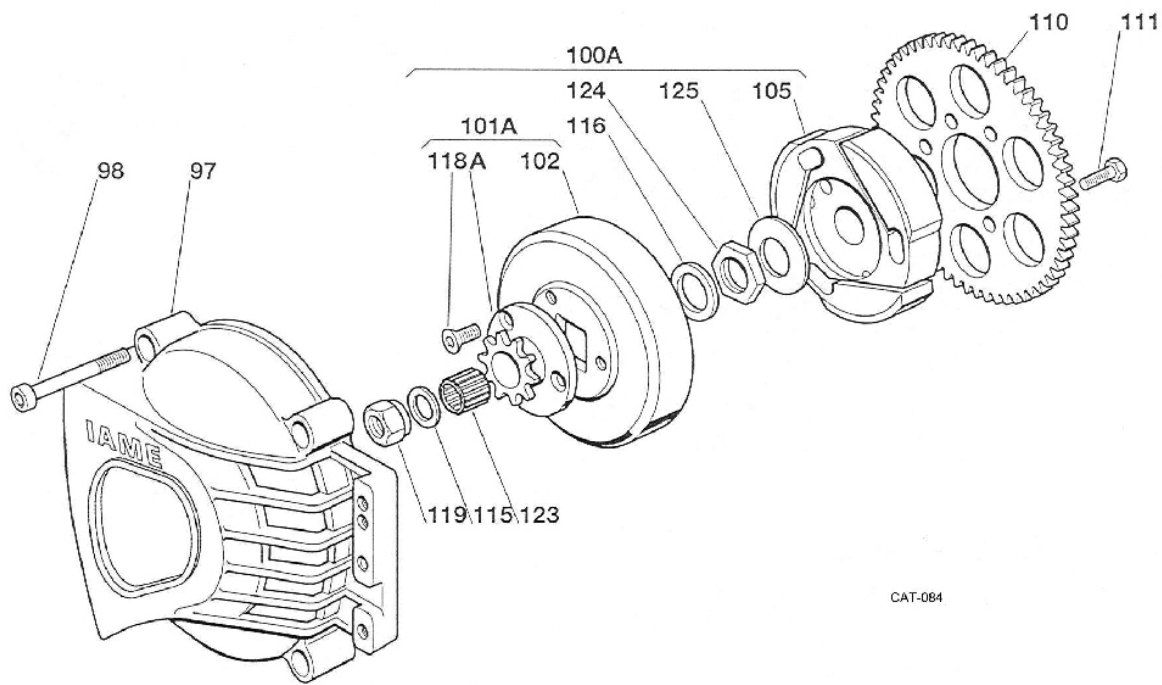


ACCENSIONE E IMPIANTO ELETTRONICO-IGNITION AND ELECTRONIC DEVICE-ALLUMAGE ET EQUIPEMENT ELECTRONIQUE

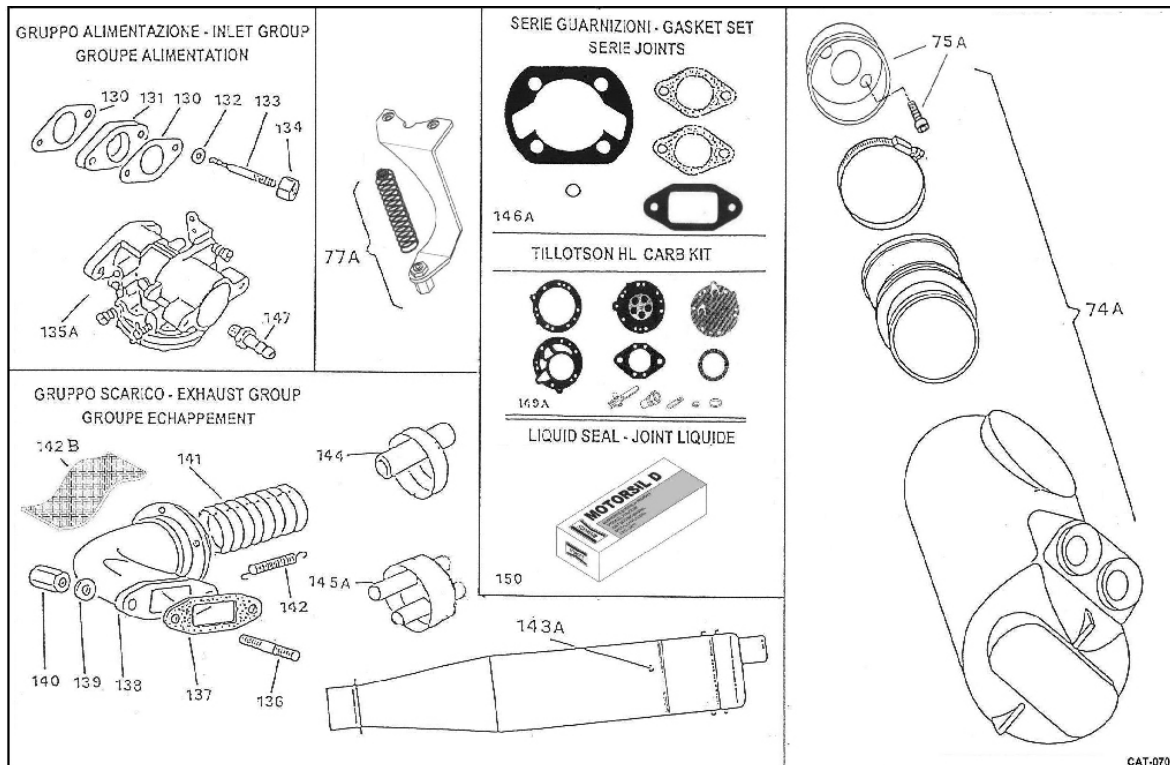
CAT-148



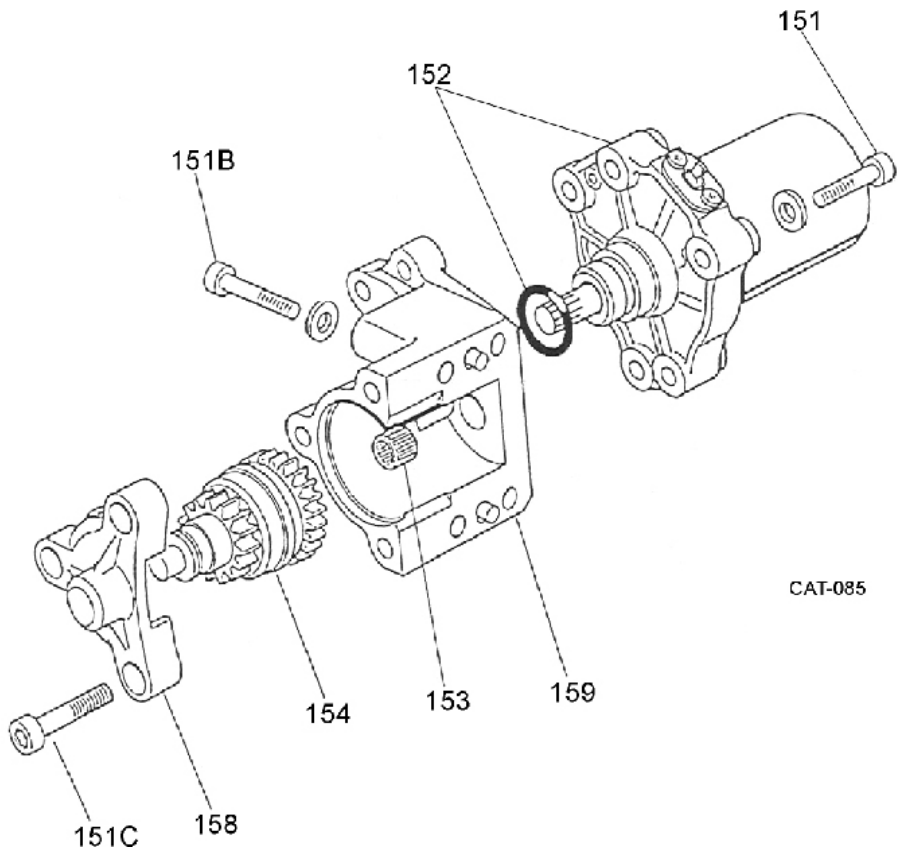
CAT-049 B



CAT-064



CAT-070



CAT-085

## Gazelle\_parte\_alta

PARILLA		TESTA E CILINDRO		HEAD AND CYLINDER	CULASSE ET CYLINDRE	Motore - Engine Moteur						
Fig.	Code	Descrizione	Dim.	Description	Description	GAZELLE 60-DMSB-B	GAZELLE 60-DMSB-A	GAZELLE 60-TaG-D	GAZELLE 60-TaG-DK	GAZELLE 60-TaG-FREE	GAZELLE 60-TaG-LTD	GAZELLE 60-TaG-CH
1	A-60040	TESTA cilindro		Cylinder HEAD	CULASSE cylindre	X	X	X	X	X	X	
1	A-60041	<b>TESTA cilindro</b>		<b>Cylinder HEAD</b>	<b>CULASSE cylindre</b>							X
2	.00352	DADO testa	M8	Head NUT	ECROU culasse	X	X	X	X	X	X	
3	.00303	RONDELLA dado testa	M8	Head nut WASHER	RONDELLE ecrou culasse	X	X	X	X	X	X	
11	EBP-85045	GUARNIZIONE cilindro	4\10	Cylinder GASKET	JOINT cylindre	X	X	X	X	X	X	
11	EBP-85046	GUARNIZIONE cilindro	2\10	Cylinder GASKET	JOINT cylindre	X	X	X	X	X	X	
13A	A-60030	CILINDRO completo		Complete CYLINDER	CYLINDRE complet	X	X	X	X	X	X	
13A	A-60031	<b>CILINDRO completo</b>		<b>Complete CYLINDER</b>	<b>CYLINDRE complet</b>							X
14	A-60010	CARCASSA cilindro		Cylinder BARREL	CORPS cylindre	X	X	X	X	X	X	
14	A-60011	<b>CARCASSA cilindro</b>		<b>Cylinder BARREL</b>	<b>CORPS cylindre</b>							X
15	A-60020	CANNA cilindro		Iron LINER	CHEMISE en fonte	X	X	X	X	X	X	
15	A-60021	<b>CANNA cilindro</b>		<b>Iron LINER</b>	<b>CHEMISE en fonte</b>							X
130	B-71822	GUARNIZIONE carburatore		Carburetor GASKET	JOINT carburateur	X	X	X	X	X	X	X
131	A-60819A	DISTANZIALE nylon	x carb.HL352A	Nylon SPACER	ENTRETOISE nylon	X	X	X	X			
131	A-60819	DISTANZIALE nylon	x carb.HL334B	Nylon SPACER	ENTRETOISE nylon						X	X
132	.00302	RONDELLA dado prigioniero	M6	Studbolt nut WASHER	RONDELLE ecrou goujon	X	X	X	X	X	X	X
133	10358	PRIGIONIERO fis.carburatore	M6x34	Fix.carburetor STUDBOLT	GOUJON fix.carburateur	X	X	X	X	X	X	X
134	.00351	DADO prigioniero	M6	Studbolt NUT	ECROU goujon	X	X	X	X	X	X	X
135A	10913-A	CARBURATORE Till. HL352A	16 mm.	Tillot. HL352A CARBURETOR	CARBURATEUR Till.HL352A	X	X	X	X		X	
135A	10917	CARBURATORE Till. HL334B	19,8 mm.	Tillot. HL334B CARBURETOR	CARBURATEUR Till.HL334B						X	
136	10358	PRIGIONIERO scarico	M6x34	Exhaust STUDBOLT	GOUJON echappement	X	X	X	X	X	X	X
137	A-60360	GUARNIZIONE scarico		Exhaust pipe GASKET	JOINT pipe echappement	X	X	X	X	X	X	X
138	A-60368	RACCORDO scarico s/ riduttore		Exhaust PIPE w/out reducer	PIPE echappement s/reducteur		X		X	X	X	X
138	A-60369	RACCORDO scarico c/ riduttore		Exhaust PIPE w/reducer	PIPE echappement a/ reducteur	X	X	X	X	X	X	X
139	.00302	RONDELLA dado scarico	M6	Exhaust nut WASHER	RONDELLE ecrou echappem.	X	X	X	X	X	X	X
140	10660	DADO scarico	M6	Exhaust NUT	ECROU echappement	X	X	X	X	X	X	X
141	10709	FLESSIBILE L. 7 cm.	D. 32mm.	FLEXIBLE L. 7 cm.	FLEXIBLE L. 7 cm.	X	X	X	X	X	X	X

## Gazelle\_piston

PARILLA		PISTONE		PISTON	PISTON	Motore - Engine Moteur						
Fig.	Code	Descrizione	Dim.	Description	Description	GAZELLE 60-DMSB-B	GAZELLE 60-DMSB-A	GAZELLE 60-TaG-D	GAZELLE 60-TaG-DK	GAZELLE 60-TaG-FREE	GAZELLE 60-TaG-LTD	GAZELLE 60-TaG-CH
22	A-60320	SPINOTTO	14x39	Piston PIN	AXE de piston	X	X	X	X	X	X	X
23	10342	ANELLINO ferma spinotto	12x1	CIRCLIP	ARRET axe de piston	X	X	X	X	X	X	X
24A	A-60050-CV	PISTONE completo verde	41,80 v	Complete green PISTON	PISTON complet vert	X	X	X	X	X	X	X
24A	A-60050-CR	PISTONE completo rosso	41,80 r	Complete red PISTON	PISTON complet rouge	X	X	X	X	X	X	X
24A	A-60055-CV	PISTONE completo verde	41,82 v	Complete green PISTON	PISTON complet vert	X	X	X	X	X	X	X
24A	A-60055-CR	PISTONE completo rosso	41,82 r	Complete red PISTON	PISTON complet rouge	X	X	X	X	X	X	X
24A	A-60060-CV	PISTONE completo verde	41,84 v	Complete green PISTON	PISTON complet vert	X	X	X	X	X	X	X
24A	A-60060-CR	PISTONE completo rosso	41,84 r	Complete red PISTON	PISTON complet rouge	X	X	X	X	X	X	X
24A	A-60065-CV	PISTONE completo verde	41,86 v	Complete green PISTON	PISTON complet vert	X	X	X	X	X	X	X
24A	A-60065-CR	PISTONE completo rosso	41,86 r	Complete red PISTON	PISTON complet rouge	X	X	X	X	X	X	X
24A	A-60070-CV	PISTONE completo verde	41,88 v	Complete green PISTON	PISTON complet vert	X	X	X	X	X	X	X
24A	A-60070-CR	PISTONE completo rosso	41,88 r	Complete red PISTON	PISTON complet rouge	X	X	X	X	X	X	X
24A	A-60075-CV	PISTONE completo verde	41,90 v	Complete green PISTON	PISTON complet vert	X	X	X	X	X	X	X
24A	A-60075-CR	PISTONE completo rosso	41,90 r	Complete red PISTON	PISTON complet rouge	X	X	X	X	X	X	X
24A	A-60080-CV	PISTONE completo verde	41,92 v	Complete green PISTON	PISTON complet vert	X	X	X	X	X	X	X
24A	A-60080-CR	PISTONE completo rosso	41,92 r	Complete red PISTON	PISTON complet rouge	X	X	X	X	X	X	X
24A	A-60085-CV	PISTONE completo verde	41,94 v	Complete green PISTON	PISTON complet vert	X	X	X	X	X	X	X
24A	A-60085-CR	PISTONE completo rosso	41,94 r	Complete red PISTON	PISTON complet rouge	X	X	X	X	X	X	X
24A	A-60090-CV	PISTONE completo verde	41,96 v	Complete green PISTON	PISTON complet vert	X	X	X	X	X	X	X
24A	A-60090-CR	PISTONE completo rosso	41,96 r	Complete red PISTON	PISTON complet rouge	X	X	X	X	X	X	X
24A	A-60095-CV	PISTONE completo verde	41,98 v	Complete green PISTON	PISTON complet vert	X	X	X	X	X	X	X
24A	A-60095-CR	PISTONE completo rosso	41,98 r	Complete red PISTON	PISTON complet rouge	X	X	X	X	X	X	X

PARILLA		BASAMENTO E ALBERO MOTORE		CRANKCASE AND CRANKSHAFT	CARTER ET VILEBREQUIN	Motore - Engine Moteur						
Fig.	Code	Descrizione	Dim.	Description	Description	GAZELLE 60-DMSB-B	GAZELLE 60-DMSB-A	GAZELLE 60-TaG-D	GAZELLE 60-TaG-DK	GAZELLE 60-TaG-FREE	GAZELLE 60-TaG-LTD	GAZELLE 60-TaG-CH
25A	A-60485	BASAMENTO completo		Complete CRANKCASE	CARTER complet	X	X	X	X	X	X	X
26	.00049	VITE basamento	M6x45	Crankcase SCREW	VIS carter	X	X	X	X	X	X	X
26B	.00051	VITE basamento	M6x55	Crankcase SCREW	VIS carter	X	X	X	X	X	X	X
27	A-60345	TIRANTE cilindro	8x125	Cylinder TIE-ROD	GOUJON cylindre	X	X	X	X	X	X	X
28	F-10425	ANELLO TENUTA l. trasmis.	20x35x7 TCJV	Drive side OIL SEAL	ANNEAU transmiss.	X	X	X	X	X	X	X
29	F-10425	ANELLO TENUTA l. accens.	20x35x7 TCJV	Magneto side OIL SEAL	ANNEAU magneto	X	X	X	X	X	X	X
30	10407	RASAMENTO acciaio	0,1mm	Steel SHIM	RONDELLE acier	X	X	X	X	X	X	X
30	10409	RASAMENTO acciaio	0,15mm	Steel SHIM	RONDELLE acier	X	X	X	X	X	X	X
31	10400-A	CUSCINETTO 6204 C4	NSK	BALL BEARING 6204 C4	ROULEMENT 6204 C4	X	X	X	X	X	X	X
32A	A-60615	ALBERO MOTORE completo		Complete CRANKSHAFT	VILEBREQUIN complet	X	X	X	X	X	X	X
33	A-60385	SEMIALBERO l. trasmissione		Drive s.HALF CRANKSHAFT	DEMI VILEBREQUIN trans.	X	X	X	X	X	X	X
34	A-60390	SEMIALBERO l. accensione		Magn.s.HALF CRANKSHAFT	DEMI VILEBREQUIN magn.	X	X	X	X	X	X	X
35	A-60440	GABBIETTA piede biella	12x16x16	Small end CAGE	CAGE pied bielle	X	X	X	X	X	X	X
36	A-60455	BIELLA	int. 96mm.	CONROD	BIELLE	X	X	X	X	X	X	X
37	A-60450	ASSE accoppiamento	18x40 mm.	CRANKPIN	AXE de vilebrequin	X	X	X	X	X	X	X
38	B-10431	GABBIA testa biella 15 R	18x24x15	Big end CAGE 15 R	CAGE axe vilebrequin 15 R	X	X	X	X	X	X	X
40A	A-60455-40	BIELLA completa selezionata	int. 96mm.	Complete selected CONROD	BIELLE complete selectionnée	X	X	X	X	X	X	X
41	11715	CHIAVETTA pignone	10x3,7x3	Sprocket KEY	CLAVETTE pignon	X	X	X	X	X	X	X
42	10375	CHIAVETTA volano	10x3,7x2,5	Magneto KEY	CLAVETTE magneto	X	X	X	X	X	X	X
45	.00380	<b>DADO volano</b>	<b>M8</b>	<b>Magneto NUT</b>	<b>ECROU magneto</b>	<b>X</b>	<b>X</b>	<b>X</b>	<b>X</b>	<b>X</b>	<b>X</b>	<b>X</b>
50	.00340	RONDELLA fissaggio rotore	M8	WASHER	RONDELLE	X	X	X	X	X	X	X
51	D-95800	RACCORDO presa pressione		Pressure FITTING	RACCORD pression	X	X	X	X	X	X	X
52	B-71805	GUARNIZIONE racc. press.		Pressure fitting GASKET	JOINT raccord pression	X	X	X	X	X	X	X
53	B-71810	TUBO raccordo presa press.		Pressure fitting TUBE	TUBE raccord pression	X	X	X	X	X	X	X

## Gazelle\_arranque\_trasmision

PARILLA		ACCENSIONE		IGNITION	ALLUMAGE	Motore - Engine Moteur						
Fig.	Code	Descrizione	Dim.	Description	Description	GAZELLE 60-DMSB-B	GAZELLE 60-DMSB-A	GAZELLE 60-TaG-D	GAZELLE 60-TaG-DK	GAZELLE 60-TaG-FREE	GAZELLE 60-TaG-LTD	GAZELLE 60-TaG-CH
80A	A-60520-C	KIT antivibrante bob.Selet.c/viti		Sel. coil DAMPENER KIT w/screw	ANTIVIBRATOIRE bob.Selettra	X	X	X	X	X	X	X
81	10025	BOBINA Selettra		Selettra COIL	BOBINE Selettra	X	X	X	X	X	X	X
82B	.00031	VITE fiss. bobina Selettra	M5x16	Selettra coil SCREW	VIS bobine Selettra	X	X	X	X	X	X	X
87	B-35805-A	CAVO massa bobina		Coil ground CABLE	CABLE masse bobine	X	X	X	X	X	X	X
88	10561-A	CANDELA NGK BR10EG		SPARK PLUG NGK BR10EG	BOUGIE NGK BR10EG	X	X	X	X	X	X	X
89	10541	PIPETTA in gomma		Rubber CAP	PIPETTE en caoutchouc	X	X	X	X	X	X	X
90A	10015A	ACCENSIONE Selettra n.t.	4 poli	Selettra IGNITION, n.t.	ALLUMAGE Selettra n.t.	X	X	X	X	X	X	X
91	.00034	VITE accensione Selettra	M5x25	Selettra ignition SCREW	VIS allumage Selettra	X	X	X	X	X	X	X
95	A-60875B	COPERCHIO accensione in plastica		Plastic ignition COVER	COUVERCLE allumage en plasti	X	X	X	X	X	X	X
96	.00043	VITE fissaggio coperchio accens.	M6x18	Ignition cover SCREW	VIS couvercle	X	X	X	X	X	X	X
230A	A-60930D-C	<b>CENTRALINA 2003 c/cablaggio</b>		<b>POWER PACK with wires 200</b>	<b>BOITIER electronique 2003</b>	<b>X</b>	<b>X</b>	<b>X</b>	<b>X</b>	<b>X</b>	<b>X</b>	<b>X</b>
231	.00028	VITE fissaggio centralina	M5x60	Fixing power pack SCREW	VIS du boitier	X	X	X	X	X	X	X
231B	.00039	VITE fissaggio centralina	M5x40	Fixing power pack SCREW	VIS du boitier	X	X	X	X	X	X	X
232	.00301	RONDELLA	M5	WASHER	RONDELLE	X	X	X	X	X	X	X
233	.00376	DADO autobloccante	M5	Locker NUT	ECROU bloquant	X	X	X	X	X	X	X
234	A-120905B	SUPPORTO batteria	7,2Ah	Battery SUPPORT	SUPPORT batterie	X	X	X	X	X		
234	A-60905A	SUPPORTO batteria	4Ah	Battery SUPPORT	SUPPORT batterie						X	X
235	A-120900	BATTERIA 12V 7,2Ah	FG20722	12Volt 7,2Ah BATTERY	BATTERIE 12Volt 7,2Ah	X	X	X	X	X		
235	A-120900A	<b>BATTERIA 12V 7,2Ah n.t.</b>		<b>12Volt 7,2Ah BATTERY n.t.</b>	<b>BATTERIE 12Volt 7,2Ah n.t.</b>	<b>X</b>	<b>X</b>	<b>X</b>	<b>X</b>	<b>X</b>		
235	A-60900	BATTERIA 12V 4Ah	FG20401	12Volt 4Ah BATTERY	BATTERIE 12Volt 4Ah						X	X
236	A-60904A	FASCIA adesiva per batteria		Fixing STRIPE for battery	BANDE de fixation batterie	X	X	X	X	X	X	X
237	.00159	VITE fissaggio supp.batteria	M6x10	Support Battery SCREW	VIS support batterie	X	X	X	X	X	X	X
238A	A-60906-C	MORSETTO fiss.sup.batt.c/viti	28 mm	Support battery CLAMP w/ screw	ETAU avec vis	X	X	X	X	X	X	X
239	A-60960	CUFFIA imperm. centralina elettr.		Water-proof power-pack COVER	HOUSSE imperméable boitier e	X	X	X	X	X	X	X

## Gazelle\_trasmision

PARILLA		FRIZIONE		CLUTCH	EMBRAYAGE	Motore - Engine Moteur						
Fig.	Code	Descrizione	Dim.	Description	Description	GAZELLE 60-DMSB-B	GAZELLE 60-DMSB-A	GAZELLE 60-TaG-D	GAZELLE 60-TaG-DK	GAZELLE 60-TaG-FREE	GAZELLE 60-TaG-LTD	GAZELLE 60-TaG-CH
97	A-60595B	COPERCHIO frizione/02		Clutch GUARD/02	GARDE embrayage/02	X	X	X	X	X	X	X
98	.00048	VITE coperchio	M6x40	Guard SCREW	VIS de garde	X	X	X	X	X	X	X
100A	A-60840-C	GRUPPO FRIZIONE Z10		CLUTCH GROUPE Z10	GROUPE EMBRAYAGE Z10					X	X	X
100A	A-60841-C	GRUPPO FRIZIONE Z11		CLUTCH GROUPE Z11	GROUPE EMBRAYAGE Z11	X	X	X				
101A	A-60550-C	CALOTTA completa Z10		Complete DRUM Z10	CALOTTE complete Z10					X	X	X
101A	A-60551-C	CALOTTA completa Z11		Complete DRUM Z11	CALOTTE complete Z11	X	X	X				
102	A-60550	CALOTTA		DRUM	CALOTTE	X	X	X	X	X	X	X
105	A-60840	MOZZO guarnito		Padded HUB	MOYEU garni	X	X	X	X	X	X	X
110	A-60830	CORONA avviamento	Z66	Starter driver WHEEL	ROUE dentée demarreur	X	X	X	X	X	X	X
111	.00161	VITE fissaggio corona	M6x12	Starter wheel SCREW	VIS roue	X	X	X	X	X	X	X
115	D-75573	RONDELLA esterna		External WASHER	RONDELLE externe	X	X	X	X	X	X	X
116	D-75565	RONDELLA interna	1,8 mm	Thrust internal WASHER	RONDELLE interne	X	X	X	X	X	X	X
118A	D-75554-C	PIGNONE z10 c/ viti		SPROCKET z10 w/screws	PIGNON z10 a/vis					X	X	X
118A	D-75555-C	PIGNONE z11 c/ viti		SPROCKET z11 w/screws	PIGNON z11 a/vis	X	X	X				
119	D-75570	DADO avviatore		Starter NUT	ECROU demarreur	X	X	X	X	X	X	X
123	D-75598	GABBIA a rulli per frizione		Clutch Roller CAGE	CAGE à rouleaux pour embraya	X	X	X	X	X	X	X
124	A-60560	DADO bloccaggio		Locking NUT	ECROU blocage	X	X	X	X	X	X	X
125	D-75563	MOLLA a tazza		WASHER, coned safety	RESSORT à godet	X	X	X	X	X	X	X

## Gazelle\_admision\_escape\_juntas

PARILLA		Ammissione - Scarico Guarnizioni		Inlet - Exhaust - Gaskets	Admiss. - Echapp. Joints	Motore - Engine Moteur						
Fig.	Code	Descrizione	Dim.	Description	Description	GAZELLE 60-DMSB-B	GAZELLE 60-DMSB-A	GAZELLE 60-TaG-D	GAZELLE 60-TaG-DK	GAZELLE 60-TaG-FREE	GAZELLE 60-TaG-LTD	GAZELLE 60-TaG-CH
74A	10746-C	SILENZIATORE D'ASP. compl.	carb.HL352A	Compl.INTAKE SILENCER	SILENCIEUX D'ASPIR. comp.	X	X	X	X			
74A	10741-C	SILENZIATORE D'ASP. compl.	carb.HL334B	Compl.INTAKE SILENCER	SILENCIEUX D'ASPIR. comp.						X	X
75A	A-60726-C	RACCORDO sil. d'asp. c/ viti	carb.HL352A	PIPE fitting w/ screws	RACCORD silenc.d'aspir.a/vis	X	X	X	X			
75A	10771-C	RACCORDO sil. d'asp. c/ viti	carb.HL334B	PIPE fitting w/ screws	RACCORD silenc.d'aspir.a/vis						X	X
77A	B-35520-C	LEVA cavo gas		Accelerator cable DEVICE	LEVIER cable acceleratuer	X	X	X	X	X	X	X
130	B-71822	GUARNIZIONE carburatore		Carburetor GASKET	JOINT carburateur	X	X	X	X	X	X	X
131	A-60819A	DISTANZIALE nylon	carb.HL352A	Nylon SPACER	ENTRETOISE nylon	X	X	X	X			
131	A-60819	DISTANZIALE nylon	carb.HL334B	Nylon SPACER	ENTRETOISE nylon						X	X
132	.00302	RONDELLA dado prigioniero	M6	Studbolt nut WASHER	RONDELLE ecrou goujon	X	X	X	X	X	X	X
133	10358	PRIGIONIERO fis.carburatore	M6x34	Fix.carburetor STUDBOLT	GOUJON fix.carburateur	X	X	X	X	X	X	X
134	.00351	DADO prigioniero	M6	Studbolt NUT	ECROU goujon	X	X	X	X	X	X	X
135A	10913-A	CARBURATORE Till. HL352A	16 mm.	Tillot. HL352A CARBURETOR	CARBURATEUR Till.HL352A	X	X	X	X	X		
135A	10917	CARBURATORE Till. HL334B	19,8 mm.	Tillot. HL334B CARBURETOR	CARBURATEUR Till.HL334B						X	
136	10358	PRIGIONIERO scarico	M6x34	Exhaust STUDBOLT	GOUJON echappement	X	X	X	X	X	X	X
137	A-60360	GUARNIZIONE scarico		Exhaust pipe GASKET	JOINT pipe echappement	X	X	X	X	X	X	X
138	A-60368	RACCORDO scarico s/ riduttore		Exhaust PIPE w/out reducer	PIPE echappement s/reducteur	X	X	X	X	X		
138	A-60369	RACCORDO scarico c/ riduttore		Exhaust PIPE w/reducer	PIPE echappement a/ reducteur	X	X	X	X	X		
139	.00302	RONDELLA dado scarico	M6	Exhaust nut WASHER	RONDELLE ecrou echappem.	X	X	X	X	X	X	X
140	10660	DADO scarico	M6	Exhaust NUT	ECROU echappement	X	X	X	X	X	X	X
141	10709	FLESSIBILE L. 7 cm.	D. 32mm.	FLEXIBLE L. 7 cm.	FLEXIBLE L. 7 cm.	X	X	X	X	X	X	X
142B	A-60735	NASTRO in fibra per flessibile		Fiber STRIP for flex	RUBAN en fibre pour flexible	X	X	X	X	X	X	X
142	10785	MOLLA tenuta flessibile	L=55 mm	Exhaust SPRING	RESSORT flexible	X	X	X	X	X	X	X
143A	A-60715-C	SILENZIATORE Gazelle DMSB		Gazelle MUFFLER DMSB	POT D'ECHAP.Gazelle DMSB	X	X		X	X		
143A	A-60715	SILENZIATORE Gazelle s/ADAC		Gazelle MUFFLER w/out ADAC	POT D'ECHAP.Gazelle s/ADAC			X		X		
144	A-60720	TERMINALE silenz.Gazelle		Gazelle SILENCER END	EMBOUT Silenc Gazelle	X	X	X	X	X	X	X
145A	A-60730-C	ESTENSIONE DMSB / CH		DMSB / CH EXTENSION	EXTENSION DMSB / CH	X	X		X	X		
146A	A-60990	SERIE guarnizioni		Gaskets SET	SERIE joints	X	X	X	X	X	X	X
147	EBP-85801A	RACCORDO press.carburatore		Carb.pressure FITTING	RACCORD pression carbs	X	X	X	X	X	X	X
149A	10929	KIT carburatore Tillotson	carb.HL352A	KIT for Tillotson carburetor	KIT pour carburateur Tillotson	X	X	X	X	X		
149A	10926	KIT carburatore Tillotson	carb.HL334B	KIT for Tillotson carburetor	KIT pour carburateur Tillotson						X	
150	.00602	GUARNIZIONE liquida		Liquid GASKET	JOINT liquide	X	X	X	X	X	X	X

PARILLA		GRUPPO AVVIATORE ELETTRICO		ELECTRIC STARTER GROUP	GRUPE DEMARREUR ELECTRIQUE	Motore - Engine Moteur						
Fig.	Code	Descrizione	Dim.	Description	Description	GAZELLE 60-DMSB-B	GAZELLE 60-DMSB-A	GAZELLE 60-TaG-D	GAZELLE 60-TaG-DK	GAZELLE 60-TaG-FREE	GAZELLE 60-TaG-LTD	GAZELLE 60-TaG-CH
151	.00042	VITE fissaggio motorino avviame	M6x16	Fixing starter SCREW	VIS fixation demarreur	X	X	X	X	X	X	X
151B	.00049	VITE fissaggio supporto motorino	M6x45	Fixing Starter support SCREW	VIS fixation support demarreur	X	X	X	X	X	X	X
151C	.00044	VITE supporto contralbero	M6x20	Countershaft support SCREW	VIS support renvoi	X	X	X	X	X	X	X
152	A-60850	MOTORINO avviamento		STARTER	DEMARREUR	X	X	X	X	X	X	X
153	A-60865	GABBIETTA a rulli	HK0810	Roller CAGE	CAGE à rouleaux	X	X	X	X	X	X	X
154	A-60855	CONTRALBERO avviamento		COUNTERSHAFT	RENAVAI	X	X	X	X	X	X	X
158	A-60870	SUPPORTO contralbero		Countershaft SUPPORT	SUPPORT de renvai	X	X	X	X	X	X	X
159	A-60860	SUPPORTO motorino avviam.		Starter SUPPORT	SUPPORT du demarreur	X	X	X	X	X	X	X